



WECHAT



WEB

Welcome to HEARKEN

Actuators and Controls

**Hearken
Here We
Can**

The Trusted, Passionate and focused Partner in Valve Automation

At HEARKEN FLOW, The founding principle of Hearkenflow is simple: to Listen our customers needs first, to develop the innovative valve actuators solutions , to meet the unique needs of our customers, Along the way, To help our customers to solve the problems in Valve Automation. We are growing our brand in Pneumatic and Electric Actuators, Accessories..



Experienced team



Large inventory



Convenient consultation

WHY WE ARE DIFFERENT

We offer a complete valve automation solution by the applications experience and customization capabilities, with an experienced support team to guide you in selection, installation, and project support. In addition we maintain an extensive supply of product inventory on hand so that we can quickly fulfill orders and reduce wait times. Our sales and support staff are readily available and accessible so that customers get the answers they need quickly.

THE TARGET WE ARE PURSUING



High-quality



low cost



Reliable solution

- To build A strong Reputation in Providing Quality, Cost Effective , Reliable And Robust Performance Solutions for Valve Automation,
- Included Pneumatic Actuators, Electrically Actuators, Actuated Valves.



COMMITMENT TO QUALITY

At HEARKEN FLOW means performance, All products manufactured by HEARKEN FLOW are warranted against defects in material and workmanship for a period of 18 months from the day of startup. Each of our products are tested at the factory. we are confident that our products meet or exceed all applicable standards before they ever leave our facility. We are an ISO 9001-2008 certified company. Our Valve Actuators Has Applied for SIL3 Certificate, ATEX Certificate , CE, Explosion-proof Certificate, IP68 Weather proof etc....

Description



4M series NAMUR solenoid valve, port size ranges from 1/8" to 1/2". Among which 4M310 -08 are international standard and 4M310-08G series are 5/2 way to 3/2 way inter-changable. The spool of 4M series Namur valve, is cutted and one-timemachined from superior aluminum alloy rod , by high precision CNC machine; Valve body use strong aluminum alloy ,ensuring clean and rigid thread. Dynamic and static armature made by Japan-imported hybrid machining center at one time with Germanyimported stainless steel material, ensuring high accuracy and rapid magnetizing and . demagnetizing; Integral coating of coil by thermosetting BMC ,ensuring IP65 protection, low temperature rise, longer service life. Specialized Machining + Assembly + Testing automation production streamlines, ensuring high quality stability and consistency of 4M series NAMUR solenoid valve,supported by special low power technology, low power, low temperature rise, PLC directly connection, long life!



Supply Chain



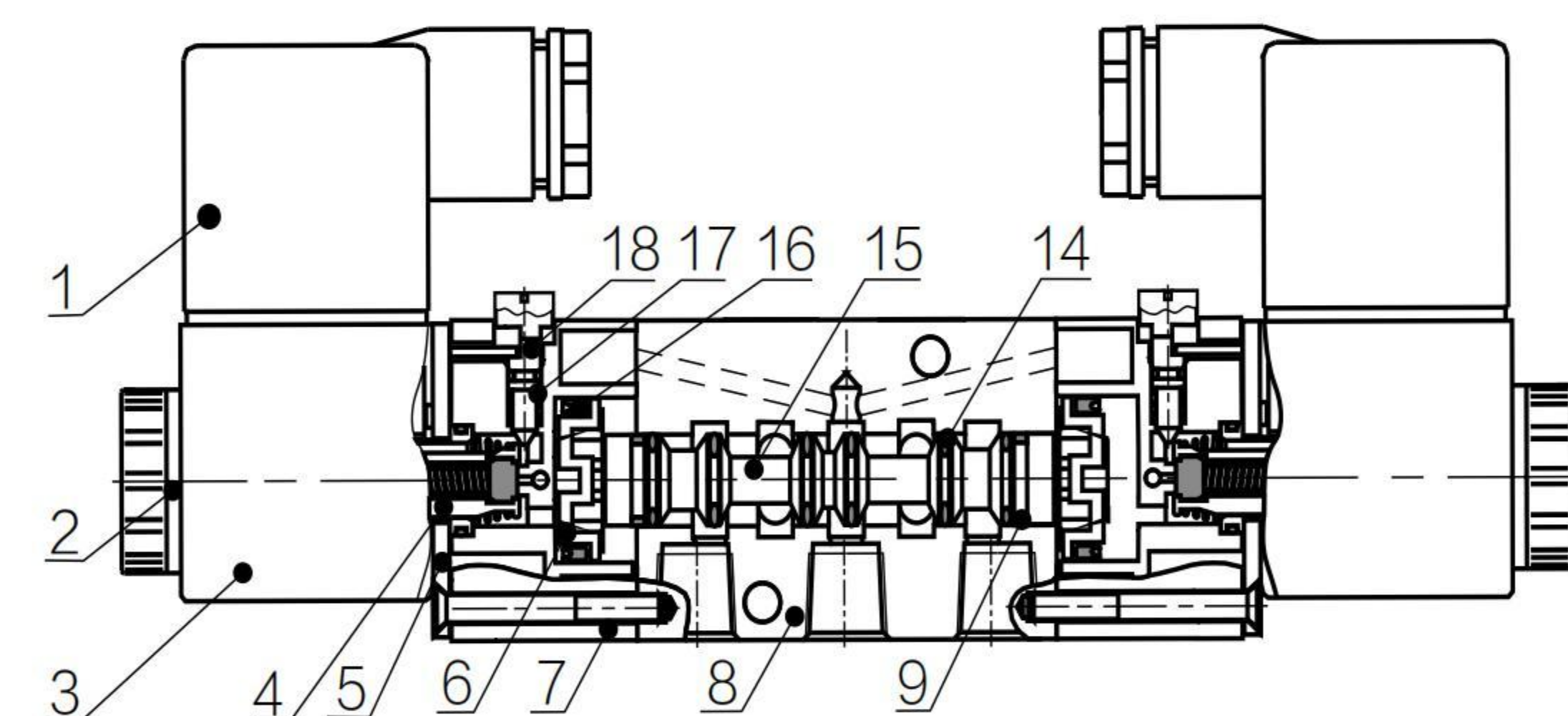
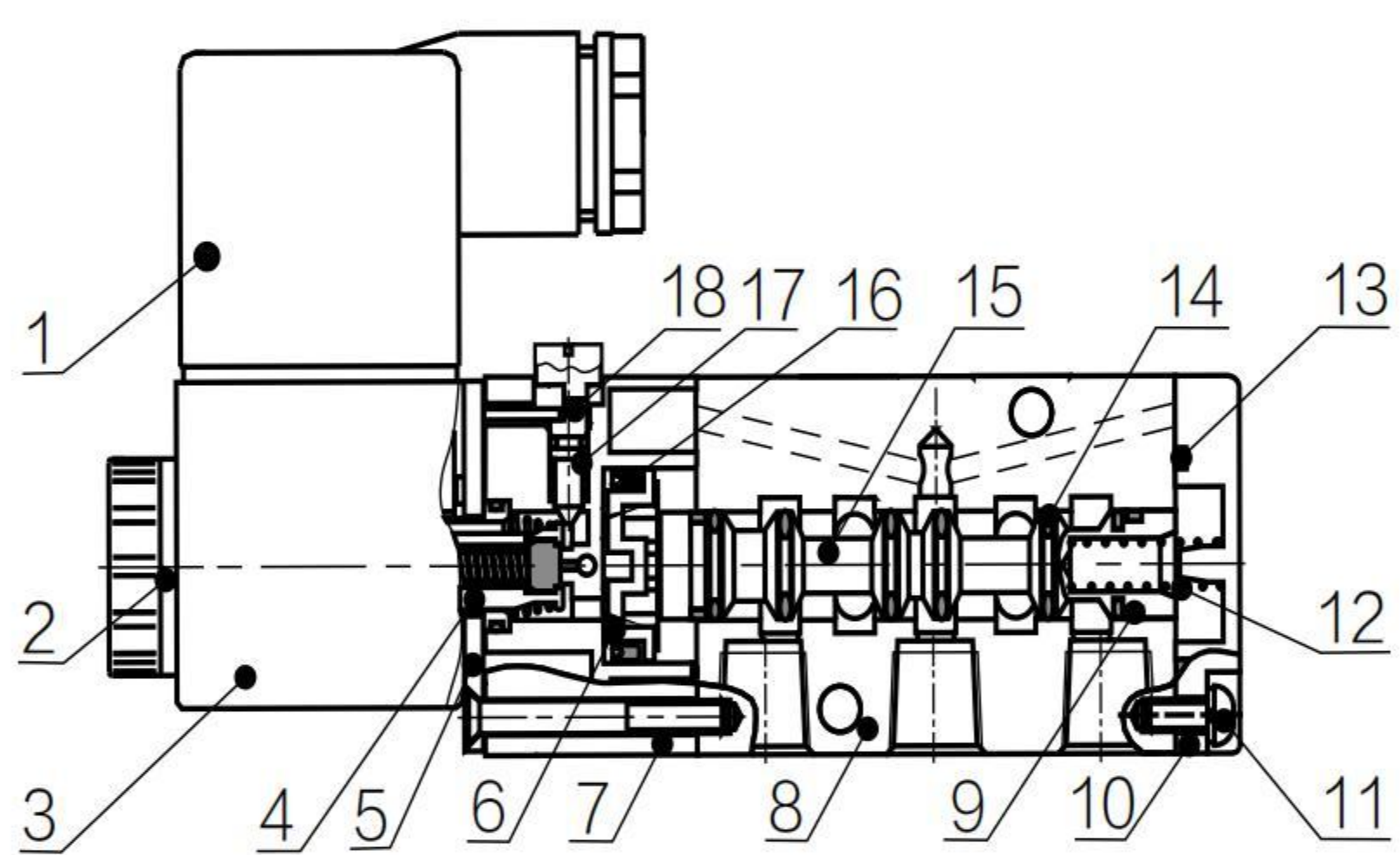
- Imported seal
- Imported grease
- Germany stainless steel
- High precision mould
- Strength aluminium

Main Product features



- Dynamic/static armature made of Germany stainless steel material, fast response
- Mould of pilot seat is made by top-level supplier, high precision for plastic parts.
- Spool one- time-machined from superior aluminum alloy rod , by high precision Japan CNC
- Valve body use 6061-T6 aluminum alloy ,ensuring clean and rigid thread.
- Special mini filter is designed on pilot exhaust port, cleaner inner air
- Integral coated coil by thermosetting BMC, IP65 protection, low temperature rise, longer life
- Machining + Assembly + Testing automation production streamlines, high stability and consistency
- Function various 5/2,3/2,5/3, solenoid control,air control,size ranges 1/8"-1/2"

Inner Structure



NO.	Part name	Material	NO.	Part name	Material
1	Connector	Engineering plastic	10	O-ring	HNBR
2	Nut	POM+Carbon steel	11	Rear cover	Engineering plastic
3	Coil	Cu	12	Filter	Synthetic material
4	Pilot units		13	Piston	POM
5	Plate	Carbon steel	14	Spring	Stainless steel
6	Piston	POM	15	Manual override	Engineering plastic
7	Pilot seat	Engineering plastic	16	Back seat	Aluminum alloy
8	Valve body	Aluminum alloy	17	Spring seat	Aluminum alloy
9	Spool	Aluminum alloy	18	C-type buckle	65Mn

Order Code

4M	1	10	6	AC220V
Specification Code	Series	Coil & Position	Coil & Position	Voltage
5/2(3) Port Solenoid Valve	1:100 Series 2:200 Series 3:300 Series 4:400 Series	10:Single Coil Double Position 20:Double Coil Double Position 30C:Double Coil Three - position Closed Type 30E:Double Coil Three - position Closed Type 30P:Double Coil Three - position Closed Type	M5:M5×0.8 06:G1/8 08:G1/4 10:G3/8 15:G1/2	DC12V DV24V AC24V 50/60Hz AC110V 50/60Hz AC220V 50/60Hz AC380V 50/60Hz

Copyright ownership belongs to **HEARKEN** shall not be reproduced, copied, or used in other ways without permission otherwise we will have the right to pursue legal responsibilities.

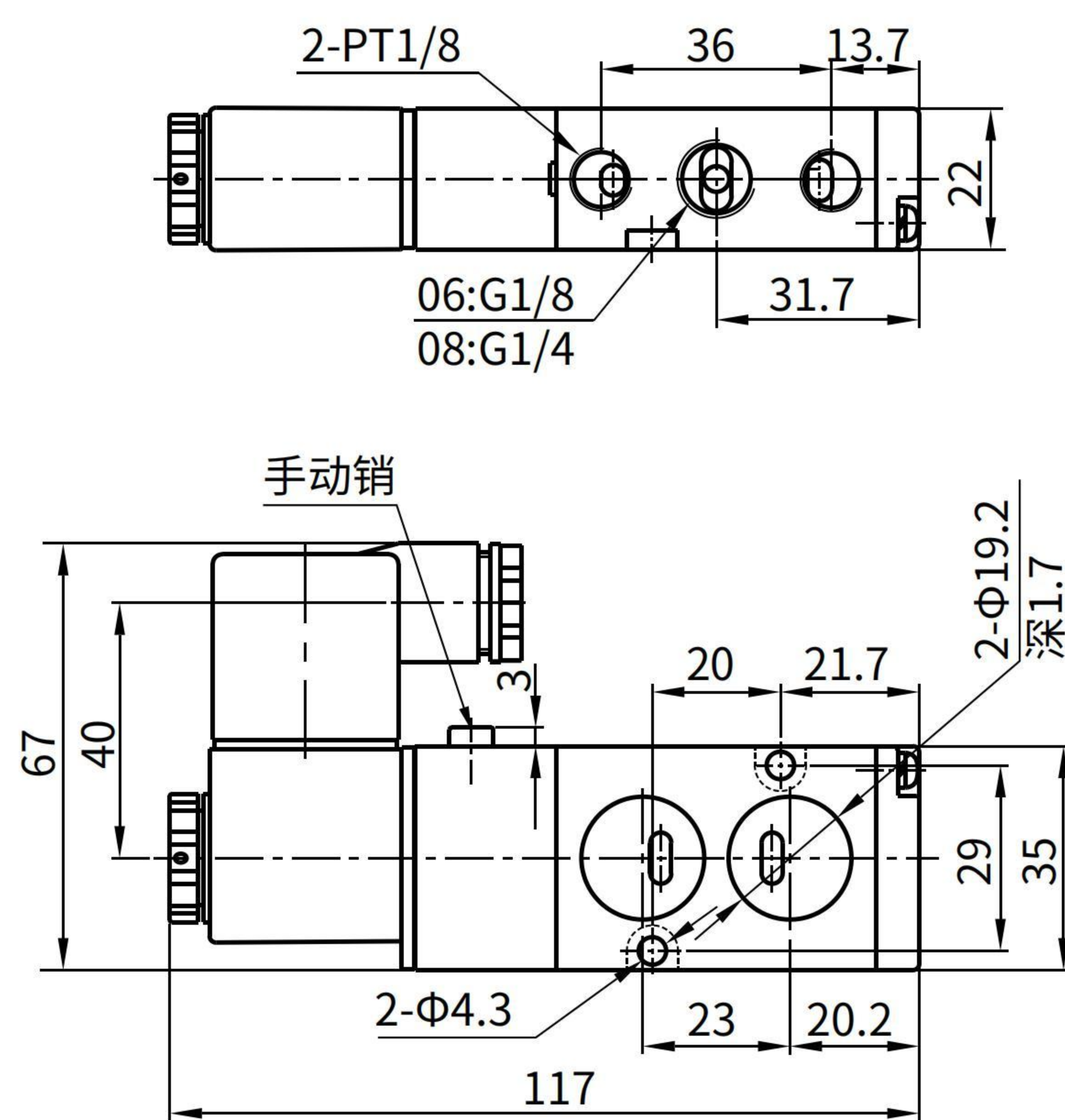
As we are continually developing our products, their design is subject to change without notice, Latest information is available on info@hearkenflow.com www.hearkenflow.com www.hfvalveactuator.com
Rev. April 01, 2021

Technical Parameter and Specifications (On/Off or Modulating Version)

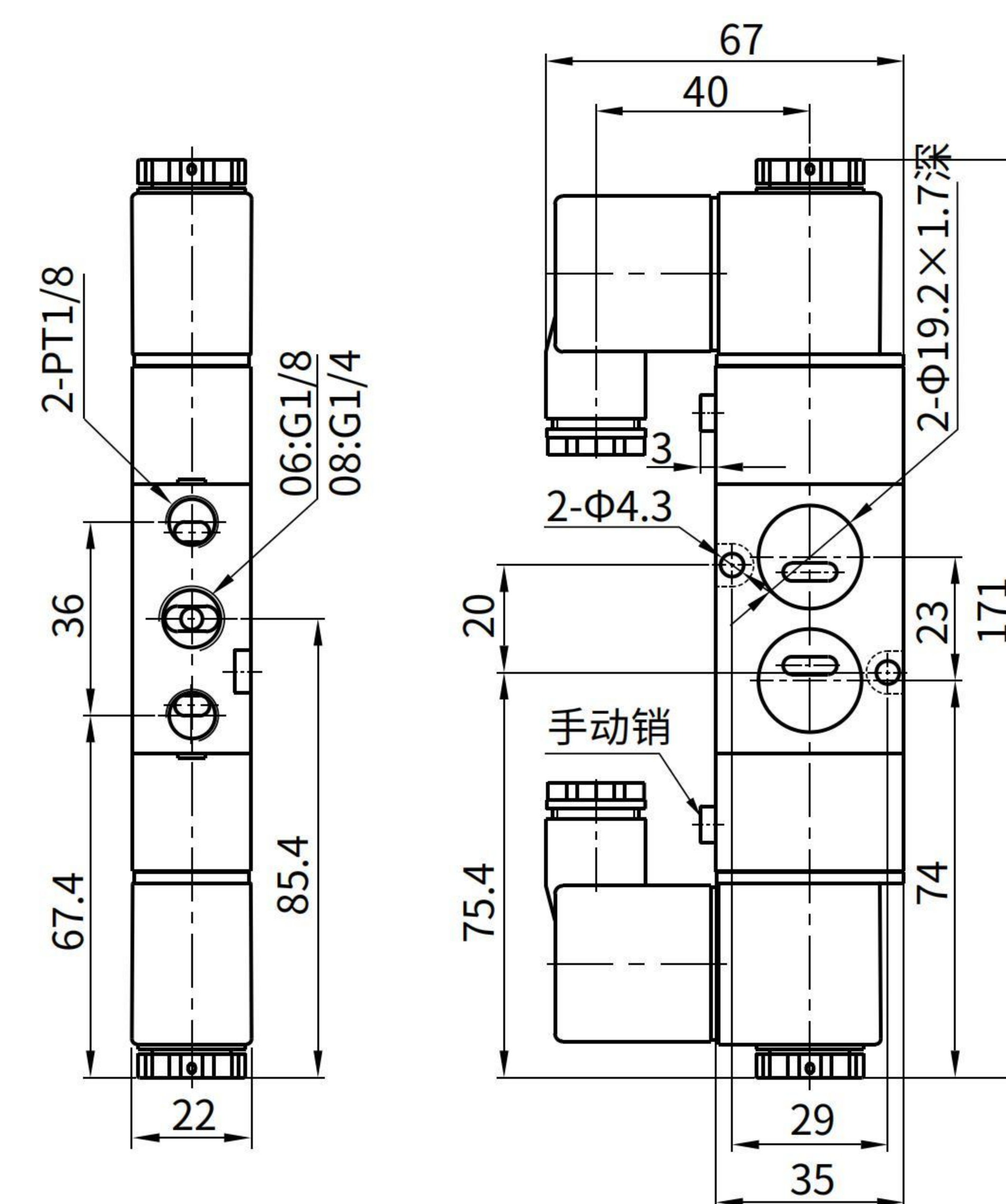
Model	4M110-M5 4M120-M5	4M110-06 4M120-06	4M210-06 4M220-06	4M210-08 4M220-08	4M310-08 4M320-08	4M310-10 4M320-10	4M410-15 4M420-16
Working Media	Air						
Action Mode	Internal Pilot Type						
Position	5/2 Port						
Effective Sectional Area	5.5MM ² (Cv=0.31)	12.0mm ² (Cv=0.67)	14.0mm ² (Cv=0.78)	16.0mm ² (Cv=0.89)	25.0mm ² (Cv=1.40)	30.0mm ² (Cv=1.68)	50.0mm ² (Cv=2.79)
Port Size	Input=Output=M5×0.8	Input=Output=G1/8		Input=G1/4, Exhaust port=G1/8	Input=Output=G1/4	Input=G3/8, Exhaust port=G1/4	Input=Output=G1/2
Lubrication	No Need						
Working Pressure	0.15-0.8Mpa						
Proof Pressure	1.0Mpa						
Working Temperature	0~60℃						
Voltage Range							
Power Consumption	AC:2.8VA DC:2.8W			AC:5.5VA DC:4.8W			
Insulation Grade	F Level						
Protection Class	IP65(DIN40050)						
Connecting Type	Plug Type						
Max. Operating Frequency	5 Cycle/Sec						
Min.Excitation Time	Aluminum Alloy						
Material	NBR						

Dimension in mm

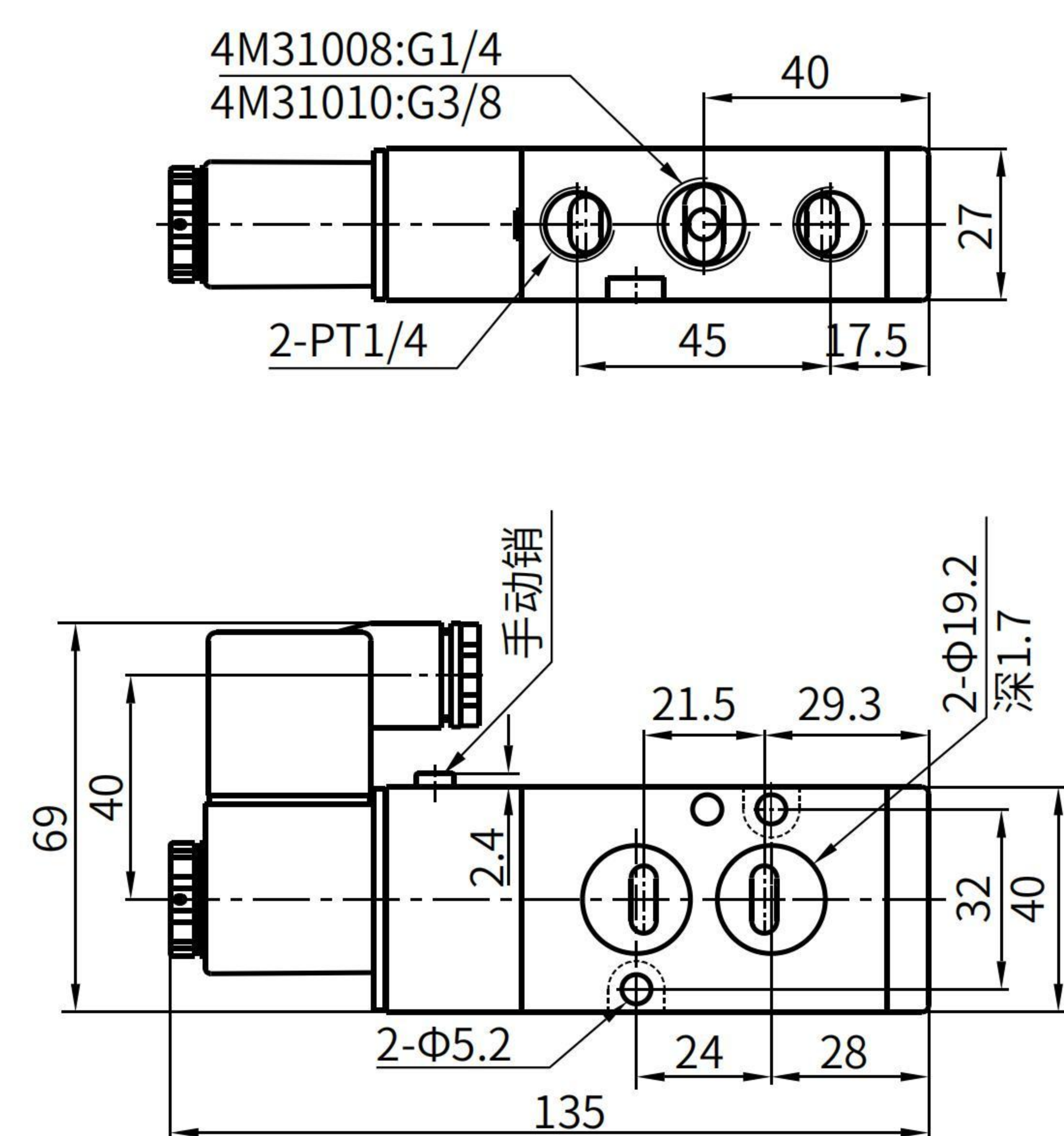
4M210DIN



4M220DIN



4M310DIN



4M320DIN

